

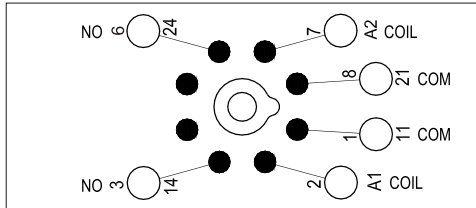


S8LD-YA

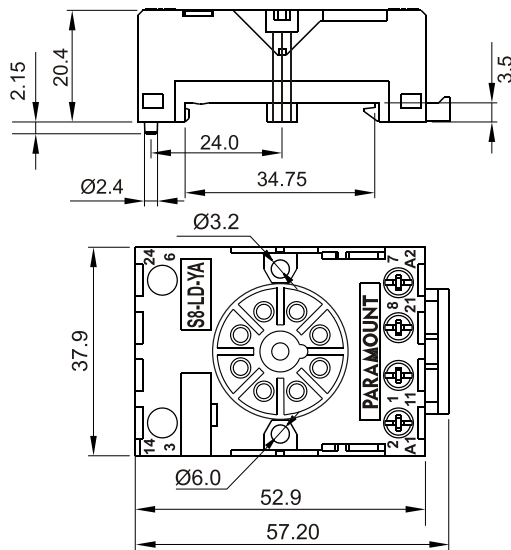
Only
38 mm
WIDE

**Socket DIN Rail or Panel Mountable
for P3 2N/O & 1NO Double Break Relays**

Wiring diagram



Dimensions in mm



Accessories

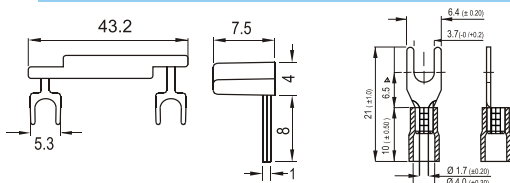


S8LD-B1



C Terminal

Dimensions in mm.



S8LD-B1
1 Way Bridge for Coil

Fork / C type crimped Terminal
used for wire connection

Specifications

Poles 2 N/O & 1NO Double Break Contact (8pins)
Nominal load : 10A / 250V

Insulation: Di-electric strength, 1minute
Between contact and coil 2.5 KV
Between all terminals and DIN Rail 2.5 KV
Between adjacent terminals 2.5 KV

Max. screw torque 0.5 Nm
Screw dimensions M3, Pozi
Weight Approx. 47 gms.

Other Aspects

DIN Rail / Panel Mountable
EN / DIN Sequential Numbering according to
EN 60947 & IEC 61810
Integrated Relay Hold Down Clip
Removable White Marking Label

Accessories

S8LD-B1 - 1 Way Bridge

Fork / C - Terminal for wire connection

Approvals

